

STONE

design Christian Ghion

STONE and Panoramics NEWTON

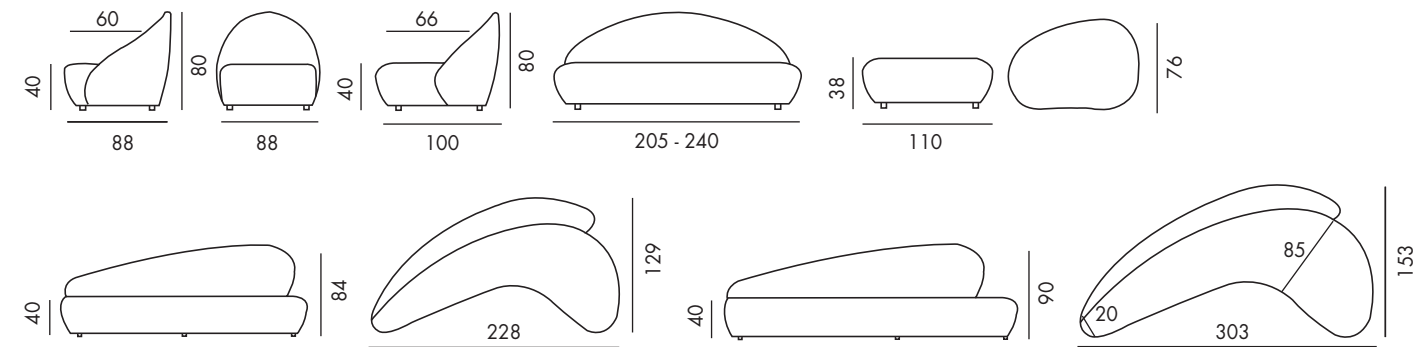
Framework : Solid beech wood, oriented strand panels (OSB), fiber panels and iron tubes, covered with polyether foam 20kg/m³

Sprung : Webbing

Feet and finishing : Chromed steel feet

Seat : Polyurethane foam - High Resiliency - Density 35kg/m³

Back : Polyurethane foam - High Resiliency - Density 30kg/m³





Panoramic right
Fabric: Fame 68004

STONE
design Christian Ghion



3 seater sofa and armchair
Fabric: Iglu 17